

iLEMBE

PR  **CAST** (Pty) Ltd

PRODUCT CATALOGUE VERSION 4.18

BRICKS | BLOCKS | PAVERS | PALISADES
RETAINERS | BLOCK AND BEAM | AIRVENTS

COMMON BRICK



COMMON BRICK

DIMENSIONS	210(L) x 70(W) x 100mm (H)
COVERAGE	55/m ²
STRENGTH	7MPa / 10,5MPa / 14MPa
WEIGHT	3,1kg
COLOURS	Grey

MAXI BRICK SOLID



MAXI BRICK SOLID

DIMENSIONS	220(L) x 90(W) x 110(H)
COVERAGE	45/m ²
STRENGTH	7,0MPa / 14MPa
WEIGHT	4,7kg
COLOURS	Grey

MAXI BRICK HOLLOW



MAXI BRICK HOLLOW

DIMENSIONS	220(L) x 90(W) x 110(H)
COVERAGE	45/m ²
STRENGTH	3,5MPa / 7,0MPa
WEIGHT	3,75kg
COLOURS	Grey

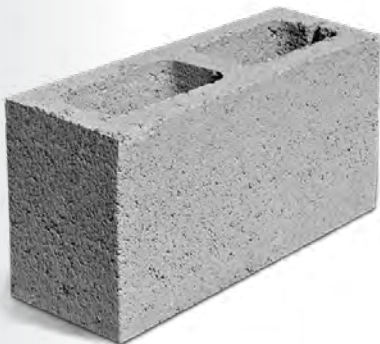
M100 BLOCK



M100 BLOCK

DIMENSIONS	390(L) x 90(W) x 190(H)
COVERAGE	12,5/m ²
STRENGTH	N/A
WEIGHT	10.5kg
COLOURS	Grey

M150 BLOCK



M150 BLOCK

DIMENSIONS	390(L) x 140(W) x 190(H)
COVERAGE	12,5/m ²
STRENGTH	3,5MPa or 7MPa
WEIGHT	14,5kg
COLOURS	Grey

M200 BLOCK



M200 BLOCK

DIMENSIONS	390(L) x 190(W) x 190(H)
COVERAGE	12,5/m ²
STRENGTH	3,5MPa or 7MPa
WEIGHT	14,5kg
COLOURS	Grey

GREENLOCK™ RETAINER S12



GREENLOCK RETAINING BLOCK

DIMENSIONS	380(L) x 320(W) x 220mm(H)
COVERAGE	12/m ²
STRENGTH	14 MPa
WEIGHT	27kg
COLOURS	Grey, Tan



GREENLOCK™ RETAINER L7



GREENLOCK L7 RETAINING BLOCK

DIMENSIONS	380(L) x 395(W) x 220mm(H)
COVERAGE	7,5/m ²
STRENGTH	14MPa
WEIGHT	38kg
COLOURS	Grey, Tan



GREENLOCK™ RETAINING SLIDER L7



GREENLOCK L7 SLIDER

DIMENSIONS	225(L) x 80(W) x 208mm(H)
COVERAGE	225 mm between full block
STRENGTH	N/A
WEIGHT	6.6kg
COLOURS	Grey, Tan

110mm COBBLE PAVER



110 x 110 COBBLE PAVER

DIMENSIONS 110(L) x 110(W) x 50mm (H)

COVERAGE 92/m²

STRENGTH 25MPa

WEIGHT 2,1kg

COLOURS Charcoal, Grey, Autumn, Tan



ADDITIONAL Catalogue www.ilembeprecast.co.za

AIRVENT BLOCK



AIRVENT BLOCK

DIMENSIONS 220(L) x 155(W) x 50(H)

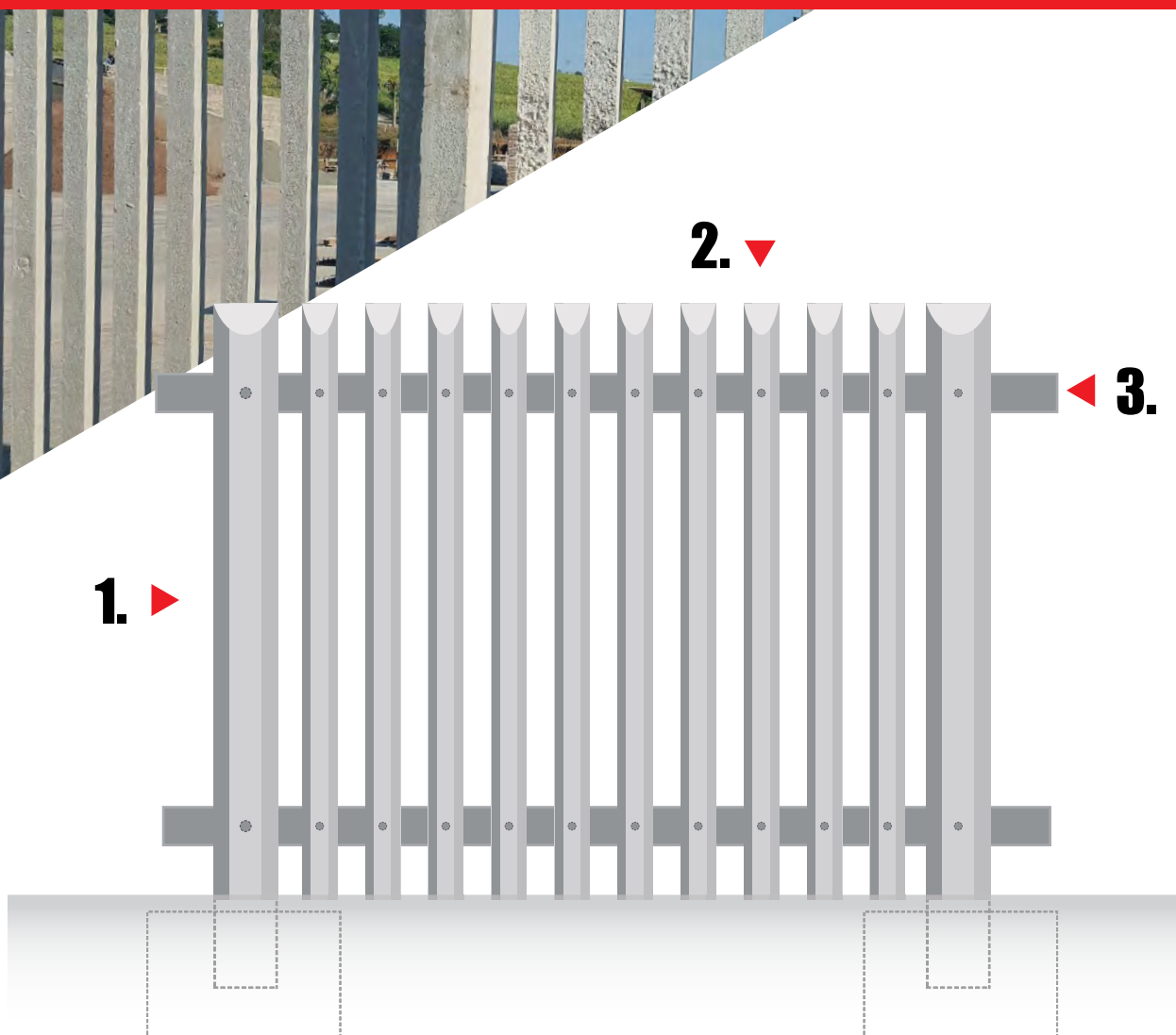
COVERAGE N/A

STRENGTH

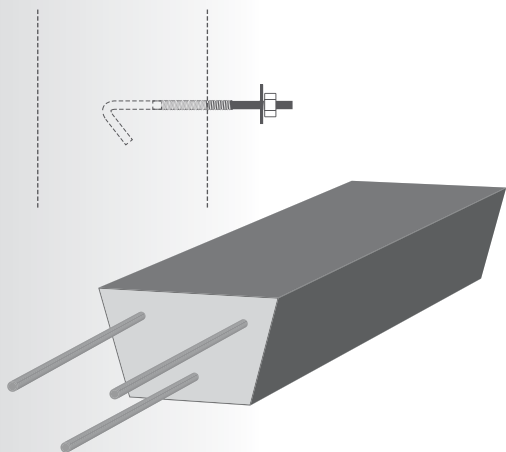
WEIGHT 2,1kg

COLOURS Grey

HEAVY DUTY SPEC.



PALISADE FENCING SPEC.



PALISADE FENCING SPECS

Galvanised hook bolt detail

10 pales per section

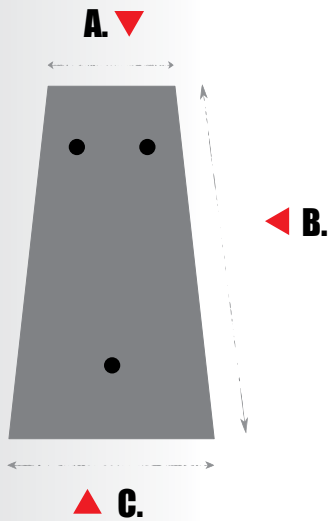
Concrete strength - 30 Mpa 28 days

Reinforcing has minimum of 15mm cover

Mass / meter length of Fencing 292kg

Opening between pales 79mm

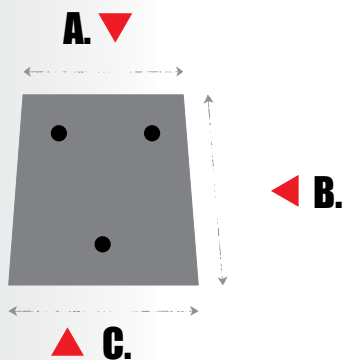
POLES (Fig.1)



PALISADE POLE

OVERALL LENGTH	3000mm
FRONT FACE (A.)	80mm
WIDTH (B.)	225mm
REAR FACE (C.)	130mm
RE-INFORCING	3 x R8 Bars
MASS	TBC

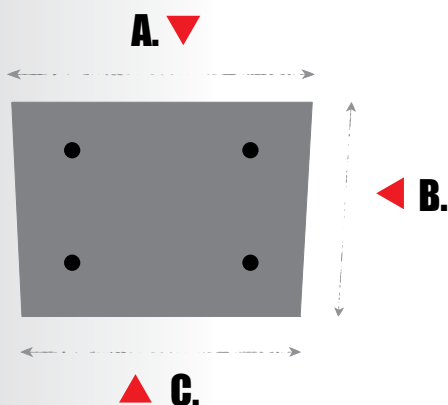
PALES (Fig.2)



PALISADE PALE

OVERALL LENGTH	2400mm
FRONT FACE (A.)	80mm
WIDTH (B.)	75mm
REAR FACE (C.)	95mm
RE-INFORCING	3 x R8 Bars
MASS	TBC

RAIL / CROSS BAR (Fig.3)



PALISADE POLE

OVERALL LENGTH	2000mm
FRONT FACE (A.)	155mm
WIDTH (B.)	85mm
REAR FACE (C.)	150mm
RE-INFORCING	3 x R8 Bars
MASS	TBC

60mm INTERLOCKING PAVER



60mm INTERLOCKING PAVER

DIMENSIONS	200(L) x 100(W) x 60mm(H)
-------------------	---------------------------

COVERAGE	50/m ²
-----------------	-------------------

STRENGTH	25MPa / 30MPa
-----------------	---------------

WEIGHT	2,5kg
---------------	-------

COLOURS	Grey
----------------	------



80mm INTERLOCKING PAVER (Indust.)



80mm INTERLOCKING PAVER

DIMENSIONS	200(L) x 100(W) x 80mm(H)
-------------------	---------------------------

COVERAGE	50/ m ²
-----------------	--------------------

STRENGTH	25MPa / 30MPa
-----------------	---------------

WEIGHT	3,5kg
---------------	-------

COLOURS	Grey
----------------	------

KERB STONE 'MOUNTABLE' (Fig.6)



KERB STONE REGULAR

DIMENSIONS	1000(L) x 230(W) x 120(H) x 55(at nose)
COVERAGE	N/A
STRENGTH	50MPa
WEIGHT	52kg
COLOURS	Grey

KERB STONE MINI 'MOUNTABLE'



KERB STONE MINI

DIMENSIONS	700(L) x 90(W) x 120(H) x 55(at nose)
COVERAGE	N/A
STRENGTH	52MPa
WEIGHT	22kg
COLOURS	Grey